

UNDER 21 GIRLS GRADING MAP

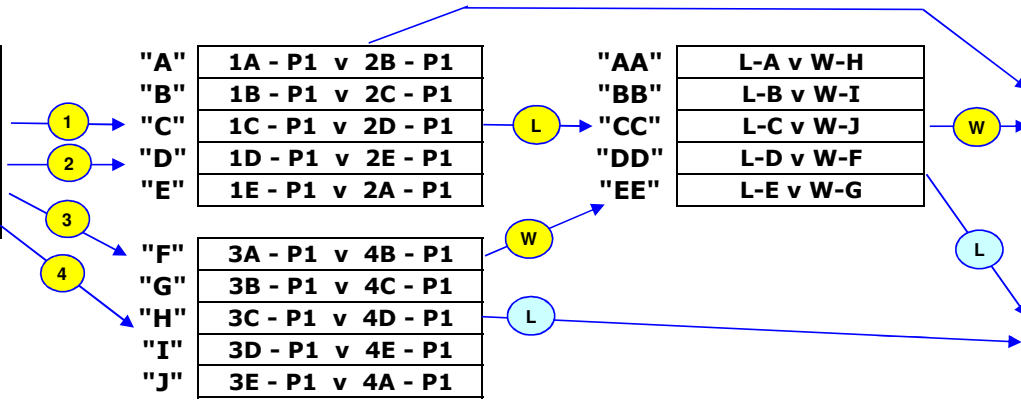
GRADING PHASE

CROSS OVER MATCHES

CROSS OVER MATCHES

CHAMPIONSHIP PHASE

POOL ONE				
A	B	C	D	E
1	2	3	4	5
10	9	8	7	6
11	12	13	14	15
20	19	18	17	16



"A"	1A - P1 v 2B - P1
"B"	1B - P1 v 2C - P1
"C"	1C - P1 v 2D - P1
"D"	1D - P1 v 2E - P1
"E"	1E - P1 v 2A - P1
"F"	3A - P1 v 4B - P1
"G"	3B - P1 v 4C - P1
"H"	3C - P1 v 4D - P1
"I"	3D - P1 v 4E - P1
"J"	3E - P1 v 4A - P1

"AA"	L-A v W-H
"BB"	L-B v W-I
"CC"	L-C v W-J
"DD"	L-D v W-F
"EE"	L-E v W-G

Victorian Junior Championship League	
Winner Crossover Games: A B C D & E	5
Winner Crossover Games AA, BB, CC, DD & EE	5
Total	10

Victorian Junior League One	
Loser Crossover Games AA, BB, CC, DD & EE	5
Loser Crossover Games F, G, H, I & J	5
Total	10