

UNDER 21 MEN Grading Phase MAP

Feb 2nd, 16th and Feb 23rd

GRADING PHASE

Cross Over Games Week1

2nd March

Cross Over Games Week 2

9th March

CHAMPIONSHIP PHASE

Starts 16th March

Pool One

A	B	C	D	E
1st	1st	1st	1st	1st
2nd	2nd	2nd	2nd	2nd
3rd	3rd	3rd	3rd	3rd
4th	4th	4th	4th	4th

Pool Two

A	B	C	D	E
1st	1st	1st	1st	1st
2nd	2nd	2nd	2nd	2nd
3rd	3rd	3rd	3rd	3rd
4th	4th	4th </td <td>4th</td> <td>4th</td>	4th	4th

Pool Three

A	B	C	D	E
1st	1st	1st	1st	1st
2nd	2nd	2nd	2nd	2nd
3rd	3rd	3rd	3rd	3rd
BYE	4th	4th	4th	4th

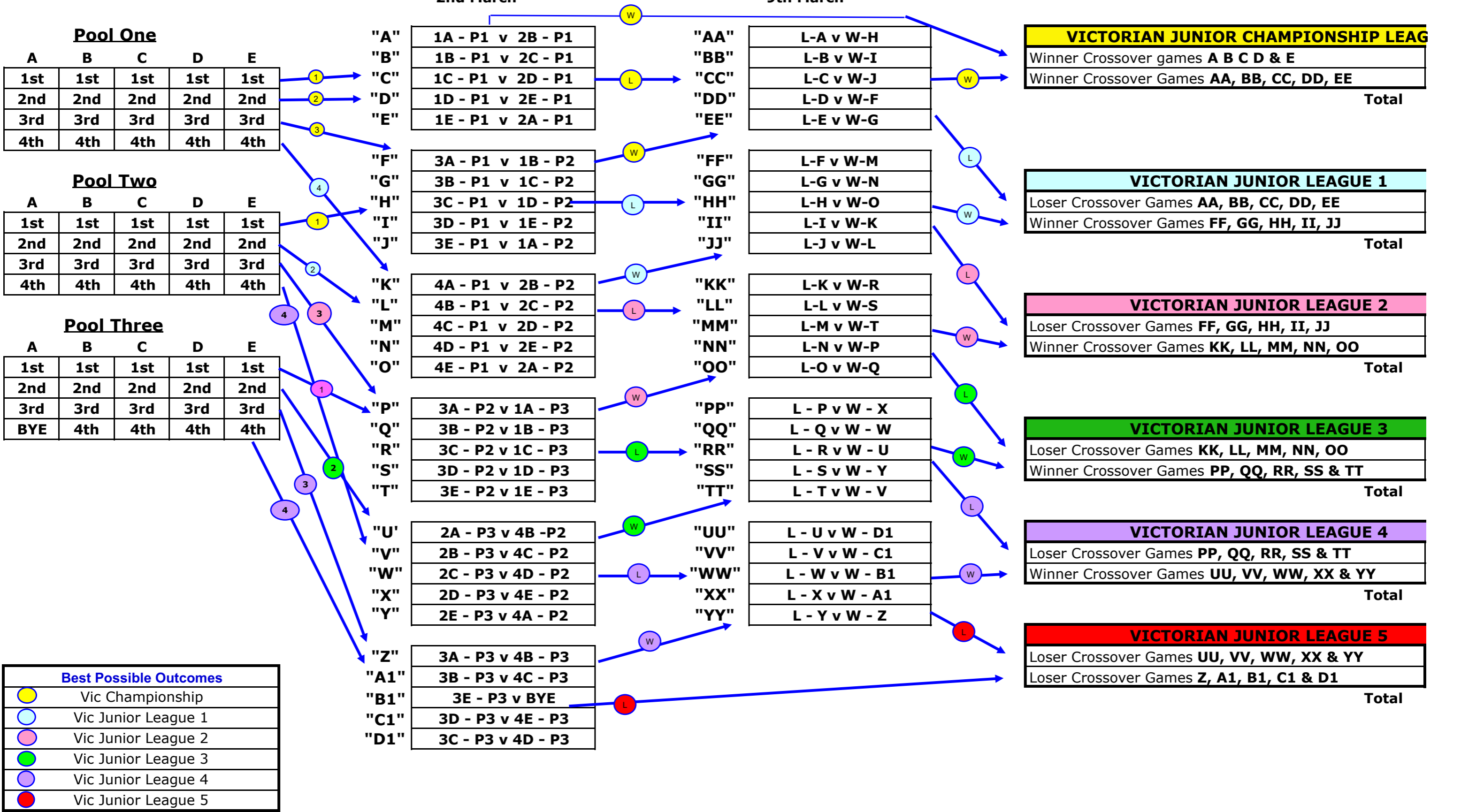
"A"	1A - P1 v 2B - P1
"B"	1B - P1 v 2C - P1
"C"	1C - P1 v 2D - P1
"D"	1D - P1 v 2E - P1
"E"	1E - P1 v 2A - P1
"F"	3A - P1 v 1B - P2
"G"	3B - P1 v 1C - P2
"H"	3C - P1 v 1D - P2
"I"	3D - P1 v 1E - P2
"J"	3E - P1 v 1A - P2
"K"	4A - P1 v 2B - P2
"L"	4B - P1 v 2C - P2
"M"	4C - P1 v 2D - P2
"N"	4D - P1 v 2E - P2
"O"	4E - P1 v 2A - P2
"P"	3A - P2 v 1A - P3
"Q"	3B - P2 v 1B - P3
"R"	3C - P2 v 1C - P3
"S"	3D - P2 v 1D - P3
"T"	3E - P2 v 1E - P3
"U"	2A - P3 v 4B - P2
"V"	2B - P3 v 4C - P2
"W"	2C - P3 v 4D - P2
"X"	2D - P3 v 4E - P2
"Y"	2E - P3 v 4A - P2
"Z"	3A - P3 v 4B - P3
"A1"	3B - P3 v 4C - P3
"B1"	3E - P3 v BYE
"C1"	3D - P3 v 4E - P3
"D1"	3C - P3 v 4D - P3

"AA"	L-A v W-H
"BB"	L-B v W-I
"CC"	L-C v W-J
"DD"	L-D v W-F
"EE"	L-E v W-G
"FF"	L-F v W-M
"GG"	L-G v W-N
"HH"	L-H v W-O
"II"	L-I v W-K
"JJ"	L-J v W-L
"KK"	L-K v W-R
"LL"	L-L v W-S
"MM"	L-M v W-T
"NN"	L-N v W-P
"OO"	L-O v W-Q
"PP"	L - P v W - X
"QQ"	L - Q v W - W
"RR"	L - R v W - U
"SS"	L - S v W - Y
"TT"	L - T v W - V
"UU"	L - U v W - D1
"VV"	L - V v W - C1
"WW"	L - W v W - B1
"XX"	L - X v W - A1
"YY"	L - Y v W - Z

VICTORIAN JUNIOR CHAMPIONSHIP LEAGUE	
Winner Crossover games A B C D & E	
Winner Crossover Games AA, BB, CC, DD, EE	
Total	
VICTORIAN JUNIOR LEAGUE 1	
Loser Crossover Games AA, BB, CC, DD, EE	
Winner Crossover Games FF, GG, HH, II, JJ	
Total	
VICTORIAN JUNIOR LEAGUE 2	
Loser Crossover Games FF, GG, HH, II, JJ	
Winner Crossover Games KK, LL, MM, NN, OO	
Total	
VICTORIAN JUNIOR LEAGUE 3	
Loser Crossover Games KK, LL, MM, NN, OO	
Winner Crossover Games PP, QQ, RR, SS & TT	
Total	
VICTORIAN JUNIOR LEAGUE 4	
Loser Crossover Games PP, QQ, RR, SS & TT	
Winner Crossover Games UU, VV, WW, XX & YY	
Total	
VICTORIAN JUNIOR LEAGUE 5	
Loser Crossover Games UU, VV, WW, XX & YY	
Loser Crossover Games Z, A1, B1, C1 & D1	
Total	

Best Possible Outcomes

	Vic Championship
	Vic Junior League 1
	Vic Junior League 2
	Vic Junior League 3
	Vic Junior League 4
	Vic Junior League 5



QUE

5

5

10

5

5

10

5

5

10

5

5

10

5

5

10

5

4

9